

VII. SOUND ATTENUATORS:

Price sound attenuators per attached.

PROJECT: Honda ki Expansion	
LOCATION: Tallapoosa, Ga	January 17, 2014
ARCHITECT:	TBCo CONTACT: Daniel Maloy
ENGINEER:	PHONE NUMBER: (404) 351-1010
CONTRACTOR: Addison Smith Mechanical Contractor, Inc.	JOB NUMBER: 53902AD

TOM BARROW COMPANY

Atlanta * Albany * Ft. Myers * Jacksonville * Memphis * Nashville * Orlando * Pensacola * Savannah * Tampa

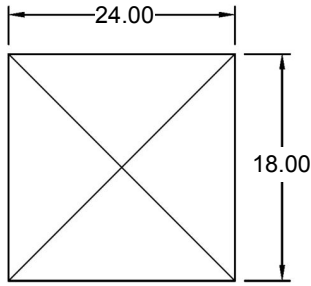


All-In-One Detailed Submittal Schedule Noise Control

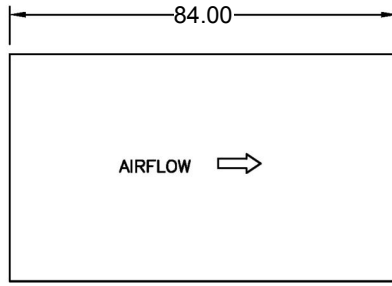
Date Printed: 1/17/2014
Job Name: 53902 - HONDA - 89KI EXPANSION

#	Qty	Model	Tag	Width (in)	Height (in)	Length (in)	Direction	Flow (CFM)	Vel. (FPM)	PD (in wg)	63	125	250	500	1K	2K	4K	8K	
24	1	RM84/ZA	DS-1	24.00	18.00	84.00	Forward	1700	567	0.01	8	9	10	14	10	8	8	7	
Const. Notes: Galvanized CL1 (22 GA) 22GA Perf Liner Fiberglass Inlet: 2" Slip Outlet: 2" Slip																			
26	1	RM84/ZA	DS-2	24.00	18.00	84.00	Reverse	1700	567	0.01	9	10	11	14	10	8	8	7	
Const. Notes: Galvanized CL1 (22 GA) 22GA Perf Liner Fiberglass Inlet: 2" Slip Outlet: 2" Slip																			

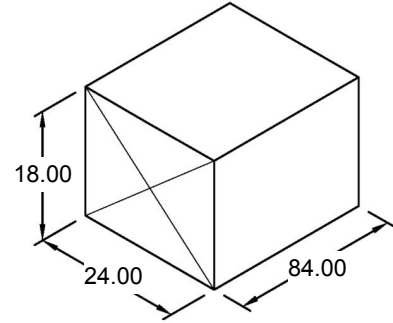
The order and sale are made pursuant to the terms of the Sales Agreement and the Sales Policies set out in the latest Customer Service Handbook.



END VIEW



SIDE VIEW



ISO VIEW

Images are generic representations of the silencer. The actual configuration may not be as shown.

Bank Information

Quantity: 1
Weight (lb): 102

Width (in.): 24.00
Height (in.): 18.00
Length (in.): 84.00

Component Information

Quantity: 1
Width (in.): 24.00
Height (in.): 18.00

Performance

Air Volume (cfm): 1700
Air Velocity (fpm): 567
Direction: Forward
Pressure Drop (in. w.g.): 0.01

Dynamic Insertion Loss (dB)

63 Hz	125 Hz	250 Hz	500 Hz	1000 Hz	2000 Hz	4000 Hz	8000 Hz
8	9	10	14	10	8	8	7

Generated Noise (dB)

63 Hz	125 Hz	250 Hz	500 Hz	1000 Hz	2000 Hz	4000 Hz	8000 Hz
25	20	15	15	17	10	10	10

Construction Options

Casing: 22 GA Galvanized
Perforated Liner: 22 GA Galvanized

Acoustic Media: Glass Fiber

Inlet Connection: 2" Slip
Outlet Connection: 2" Slip

Notes

- Performance data is derived from test values obtained in strict accordance with ASTM E477-13.
- All material used in the construction of Price silencers has a flame spread classification of < 25 and a smoke development rating of < 50 when tested in accordance with ASTM E84, UL723 and NFPA255.
- Dynamic insertion losses are limited to 55 dB due to flanking.
- The installed silencer may have increased pressure drop resulting from system effect caused by duct elements located upstream or downstream of the silencer.
- This silencer model was selected to achieve NC 40 criteria level based on octave band sound levels of 0/0/0/0/0/0/0/0/ from 63Hz to 8000Hz.

PROJECT: 53902 - HONDA - 89KI EXPANSION

ENGINEER:

DESCRIPTION: Rectangular Medium Velocity Silencer

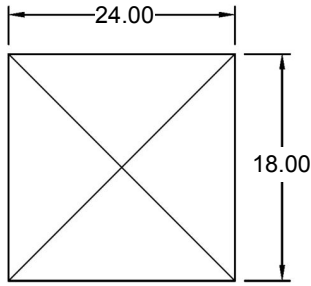
RM//84.00/Z/A//24.00/18.00/24.00/18.00/1/48.00/0.5/CL1/G/F//S2/S2/////P22/////

UNIT OF MEASURE: Imperial

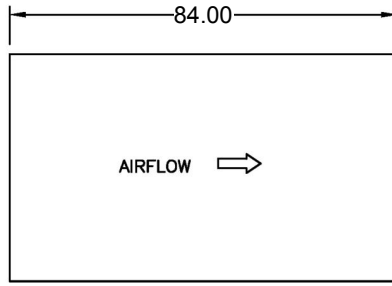
CUSTOMER:

SUBMITTAL DATE: 1/17/2014

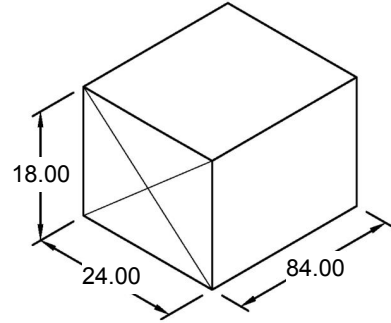
REVISION:



END VIEW



SIDE VIEW



ISO VIEW

Images are generic representations of the silencer. The actual configuration may not be as shown.

Bank Information

Quantity: 1
Weight (lb): 102

Width (in.): 24.00
Height (in.): 18.00
Length (in.): 84.00

Component Information

Quantity: 1
Width (in.): 24.00
Height (in.): 18.00

Performance

Air Volume (cfm): 1700
Air Velocity (fpm): 567
Direction: Reverse
Pressure Drop (in. w.g.): 0.01

Dynamic Insertion Loss (dB)

63 Hz	125 Hz	250 Hz	500 Hz	1000 Hz	2000 Hz	4000 Hz	8000 Hz
9	10	11	14	10	8	8	7

Generated Noise (dB)

63 Hz	125 Hz	250 Hz	500 Hz	1000 Hz	2000 Hz	4000 Hz	8000 Hz
25	20	15	15	21	11	10	10

Construction Options

Casing: 22 GA Galvanized
Perforated Liner: 22 GA Galvanized

Acoustic Media: Glass Fiber

Inlet Connection: 2" Slip
Outlet Connection: 2" Slip

Notes

- Performance data is derived from test values obtained in strict accordance with ASTM E477-13.
- All material used in the construction of Price silencers has a flame spread classification of < 25 and a smoke development rating of < 50 when tested in accordance with ASTM E84, UL723 and NFPA255.
- Dynamic insertion losses are limited to 55 dB due to flanking.
- The installed silencer may have increased pressure drop resulting from system effect caused by duct elements located upstream or downstream of the silencer.

PROJECT: 53902 - HONDA - 89KI EXPANSION

ENGINEER:

DESCRIPTION: Rectangular Medium Velocity Silencer

RM//84.00/Z/A//24.00/18.00/24.00/18.00/1/48.00/0.5/CL1/G/F//S2/S2/////P22/////

UNIT OF MEASURE: Imperial

CUSTOMER:

SUBMITTAL DATE: 1/17/2014

REVISION: